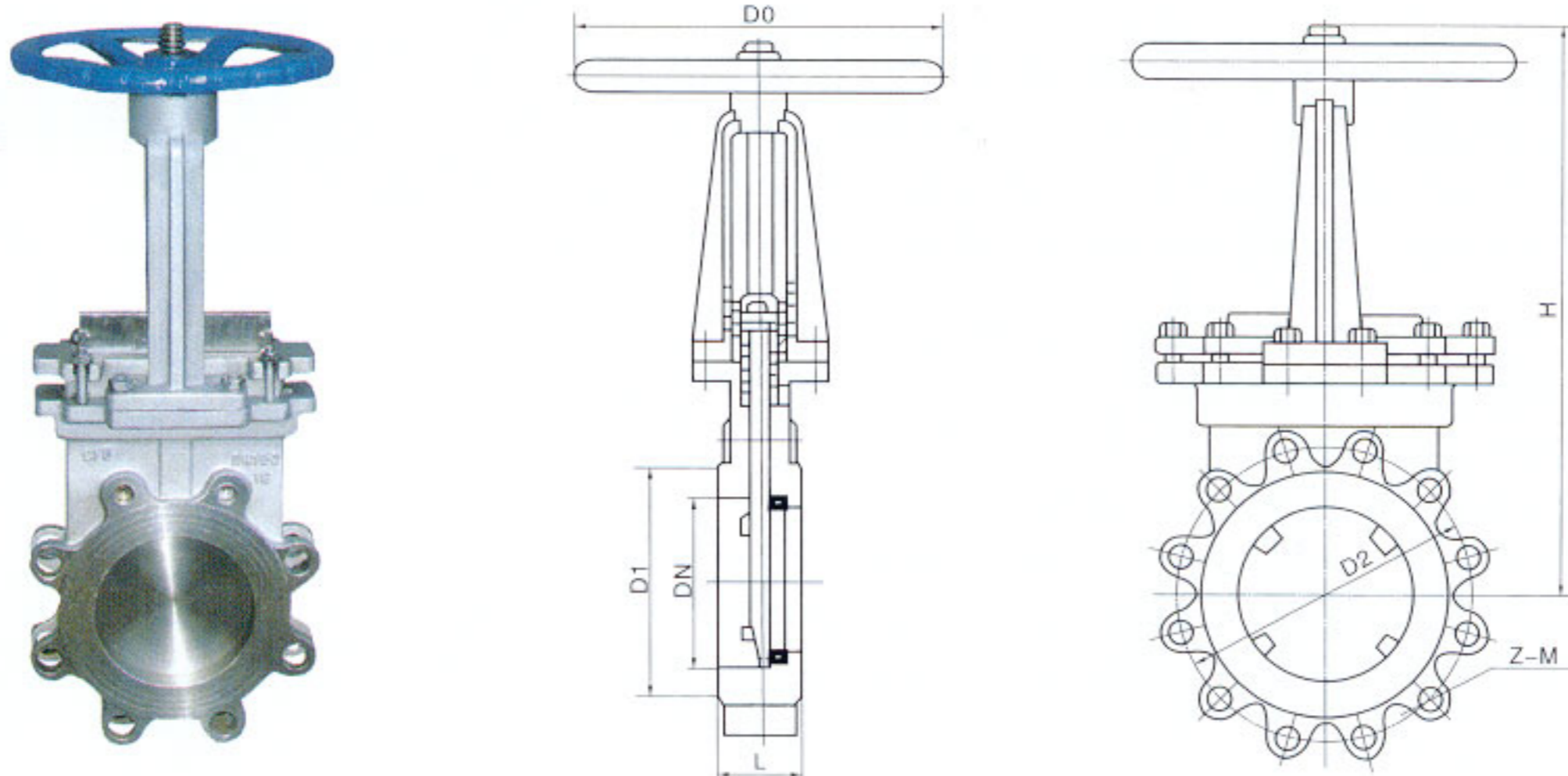


刀形闸阀 KNIFE GATE VALVE



主要外形尺寸及重量 Main dimensions & weight

单位Unit:mm

DN	L	D	D1	D2	Z-M	H	D0	W
Z73W-10 Z73H-10C Z73W-10P Z573W-10 Z573H-10C Z573W-10P Z673W-10 Z673H-10C Z673W-10P Z973W-10 Z973H-10C Z973W-10P								
50	48	160	125	100	4-M16	285	180	8
65	48	180	145	120	4-M16	298	180	10
80	50	195	160	135	4-M16	315	220	12
100	50	215	180	155	8-M16	365	220	14
150	57	280	240	210	8-M20	475	280	29
200	70	335	295	265	8-M20	540	360	38
250	70	390	350	320	12-M20	630	360	66
300	76	440	400	368	12-M20	780	400	100
350	76	500	460	428	16-M20	885	400	119
400	89	565	515	482	16-M22	990	400	195
450	89	615	565	532	20-M22	1100	530	285
500	114	670	620	585	20-M22	1200	530	389
600	114	780	725	685	20-M27	1450	600	529
Z73H-16C Z73W-16P Z73Y-16P Z573H-16C Z573W-16P Z573Y-16P Z673H-16C Z673W-16P Z673Y-16P Z973H-16C Z973W-16P Z973Y-16P								
50	48	165	125	99	4-M16	285	180	8.5
65	48	185	145	118	4-M16	295	180	10.7
80	50	200	160	132	8-M16	315	220	13
100	50	220	180	156	8-M16	365	220	15
150	57	285	240	211	8-M20	475	280	31
200	70	340	295	266	12-M20	540	360	40.7
250	70	405	355	319	12-M24	630	360	70
300	76	460	410	370	12-M24	780	400	107
350	76	520	470	429	16-M24	885	400	129
400	89	580	525	480	16-M27	990	400	215
450	89	640	585	548	20-M27	1100	530	305
500	114	715	650	609	20-M30	1200	530	410
600	114	840	775	720	20-M33	1450	600	550